

GENERAL CHARACTERISTICS



For all applications where it is necessary to detect and electrically convert differential pressure measurements of non-aggressive gases.

The differential pressure is introduced via two hose in the measurement chamber, separated into two parts by a rubber diaphragm. The displacement of the diaphragm is transferred to the index of the measuring scale by means of a mechanism of amplification. All instrument components are housed in a plastic enclosure with degree of protection IP65.

- Wide measurement scale, 270 ° = 235 mm.
- High precision 2%.
- Wall or panel mounting.
- Easy to connect.
- Degree of protection IP65.

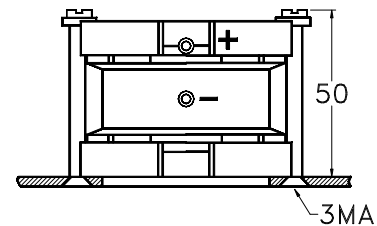
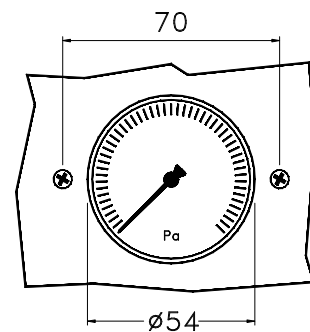


DIFFERENTIAL PRESSURE RANGES

Tab.1

Type		Maximum static pressure	Code
DA 85	DA 2000		
Pa	Pa	Bar	
-	0 - 100	0,2	001
0 - 200	0 - 200	0,2	002
0 - 400	-	0,2	004
-	0 - 500	0,2	005
0 - 1000	0 - 1000	0,2	010
0 - 2000	0 - 2000	0,2	020
0 - 4000	-	0,2	040
-	0 - 5000	0,2	050
0 - 6000	-	0,2	060

Other measuring ranges on request

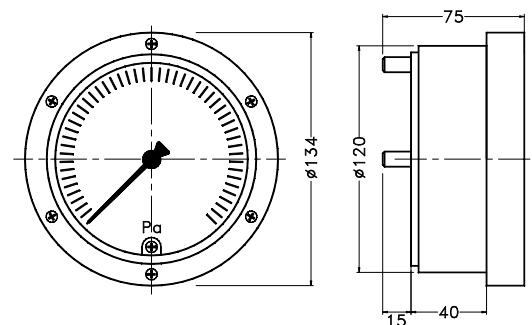


DA 85

TECHNICAL DATA

Tab.2

Description		Code
Measuring element	Rubber diaphragm and calibrated spring	-
Measuring scale	Pascal mbar on request	-
Accuracy	± 2 %	-
Working temperature	0 ÷ 50 °C -20 ÷ +50 °C on request	-
Process connection	DA 85 Ø 5 mm. hose	2520
	DA 2000 Ø 8 mm. hose	2530
Body	Ultramid / Black ABS	-
Protection degree	IP65	IP65
Weight	480 gr	-



DA 2000

INSTALLATION

Vertical mounting, otherwise the instrument will indicate differences of reading.

For rotations of 90 ° 0.5 mbar.

NOMENCLATURE

DA 85	2520	050	IP65
•			
	•		
		•	
			•

Tab.1	Type
Tab.2	Process connection code
Tab.1	Measuring range
Tab.2	Degree of protection